

Sika Liquid Plastics' Flat Roof Outlets

Stainless steel roof outlets for drainage of flat roofs

Product Description

Sika Liquid Plastics' Flat Roof Outlets are stainless steel with an integral SBS modified bitumen reinforced membrane flange that can be used in conjunction with Sika Liquid Plastics liquid applied membranes.

Uses

■ Sika Liquid Plastics Flat Roof Outlets are used as rainwater outlets in flat roofs.

Characteristics / Advantages

- Ease of application
- Fully compatible with Sika Liquid Plastics liquid applied membranes
- Can be used in retrofit scenarios

Tests

Approvals / Standards

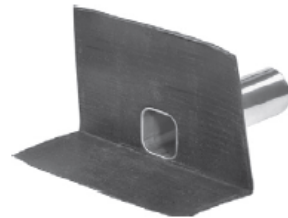
These products have been tested and certified to EN 1253

Product Data

Appearance



Vertical Outlet
 (Available in 75mm & 110mm Dia)



Horizontal Outlet
 (Available in 110mm Dia)



Adjustable Vertical Leaf Grate for use with Vertical Outlets*



Horizontal Leaf Grate supplied with the Horizontal Outlet*

*actual appearance may vary

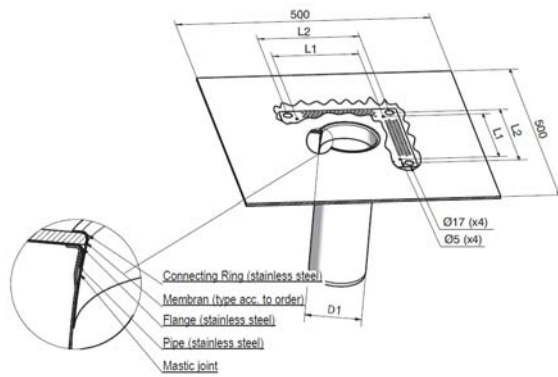
Vertical Outlets

Dimensions

The spigot: 400mm in length
 Flange: 500mm x 500mm

Product Name	Pipe Diameter	Used for
Vertical Outlet	75mm	Ø75mm Socket Ø90mm Insertion
Vertical Outlet	110mm	Ø110mm Socket Ø125mm Insertion

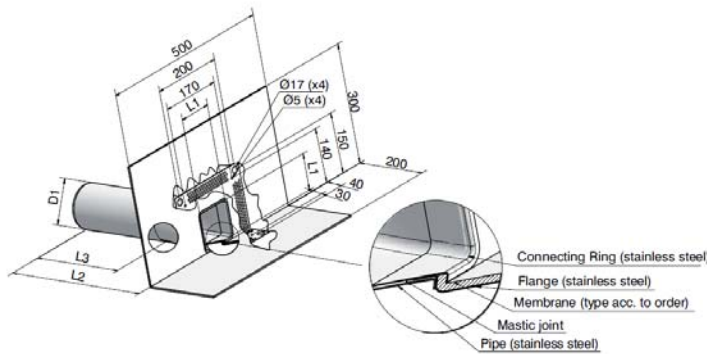




Ø75 Diameter L1:170mm
L2: 200mm

Ø110 Diameter L1:170mm
L2: 200mm

Horizontal Outlet			
Dimensions	Product Name	Pipe Diameter	Used for
The spigot is 400mm in length Flange: 500mm x 500mm	Horizontal Outlet with Leaf Grate	110mm	Ø110mm Socket



Ø110 Diameter L1:95mm
L2:400mm
L3:255mm

Packaging	Sold individually
------------------	-------------------

Technical Data

Material Basis	Outlets Pipe: Stainless Steel AISI 316 Flange: SBS modified bitumen reinforced membrane flange O-Ring (Vertical Outlet only) is made of EPDM rubber
	Leaf Grates Vertical Leaf Grate: Stainless steel Mounting bracket: Stainless steel Horizontal Leaf Grate: Stainless steel AISI 304 Mounting Bracket: Stainless steel

Drainage Capacity The listed capacities describe the performance for an outlet and the relevant leaf grate		Ø75mm	Ø110mm
	Vertical Outlet	2.8 L/sec	4.2 L/sec
	Horizontal Outlet	N/A	1.1 L/sec



System Information

System Structure

Accessory for:
■ Sika Liquid Plastics liquid applied membranes

Application Details

Installation Instructions

Installation Method / Tools

Vertical Outlets: Ensure that the finished level of the outlets will be lower than the surrounding roof level.

Install suitably sized Sika Liquid Plastics Vertical Roof Outlets by mechanically fixing through the metal flange only, and adhere the bituminous flange to the substrate.

Apply the primer as specified to the metal spigot of the outlets prior to coating. Dress the coating as far as is practical into the outlet pipe.

Install the Sika Liquid Plastics Vertical Leaf Grates once the coating has fully cured

Horizontal Outlets: Ensure that the finished level of the outlets will be lower than the surrounding roof level.

Install Sika Liquid Plastics Horizontal Outlets through the parapet by mechanically fixing through the metal flange only, and adhere the bituminous flange to the substrate.

Apply the primer as specified to the metal spigot of the outlets prior to coating.

Dress the coating as far as is practical into the outlet pipe and finish to a neat edge.

Install the grates once the coating has fully cured.

Notes on Application / Limits

Installation works must be carried out only by a Specialist Roofing Contractor.

Value Base

Any technical data stated in this Product Data Sheet are based on tests. Actual measured data may vary due to circumstances beyond our control.

Local Restrictions

Please note that as a result of specific local regulations the performance of this product may vary from country to country. Please consult the local Product Data Sheet for the exact description of the application fields.

Ecology, Health and Safety Information

A Safety Data Sheet following EC-Regulation 1907/2006, Article 31 is not needed to bring the product to the market, to transport or to use it. The product does not damage the environment when used as specified.



REACH	<p>European Community Regulation on chemicals and their safe use (REACH: EC 1907/2006)</p> <p>This product is an article within the meaning of Regulation (EC) No 1907/2006 (REACH). It contains no substances which are intended to be released from the article under normal or reasonably foreseeable conditions of use. Therefore, there are no registration requirements for substances in articles within the meaning of Article 7.1 of the Regulation.</p> <p>Based on our current knowledge, this product does not contain SVHC (substances of very high concern) from the candidate list published by the European Chemicals Agency in concentrations above 0.1 % (w/w).</p>
Protective Measures	Local safety regulations must be observed.
Transportation Class	The product is not classified as hazardous good for transport.
Disclaimer	<p>The information, and, in particular, the recommendations relating to the application and end- use of Sika products, are given in good faith based on Sika's current knowledge and experience of the products when properly stored, handled and applied under normal conditions in accordance with Sika's recommendations. In practice, the differences in materials, substrates and actual site conditions are such that no warranty in respect of merchantability or of fitness for a particular purpose, nor any liability arising out of any legal relationship whatsoever, can be inferred either from this information, or from any written recommendations, or from any other advice offered. The user of the product must test the product's suitability for the intended application and purpose. Sika reserves the right to change the properties of its products. The proprietary rights of third parties must be observed. All orders are accepted subject to our current terms of sale and delivery. Users must always refer to the most recent issue of the local Product Data Sheet for the product concerned, copies of which will be supplied on request.</p>
Specification assistance	<p>NBS is the industry standard specification system, which allows architects, specifiers and engineers to insert clauses into specifications by manufacturer and product, making the process quicker and more efficient. We are members of NBS Plus and therefore detailed up-to-date product information is readily available to create accurate specifications.</p>
Contact Details	<p>For further information please contact:</p> <p>Sika Liquid Plastics Sika House Miller Street Preston Lancashire PR1 1EA</p> <p>Enquiry Line: 01772 259781 Fax: +44 (0)1772 255670 E-mail: liquidplastics@uk.sika.com</p>

Registered office: Sika Ltd, Watchmead, Welwyn Garden City, Hertfordshire, AL7 1BQ
Registered in England: 226822

